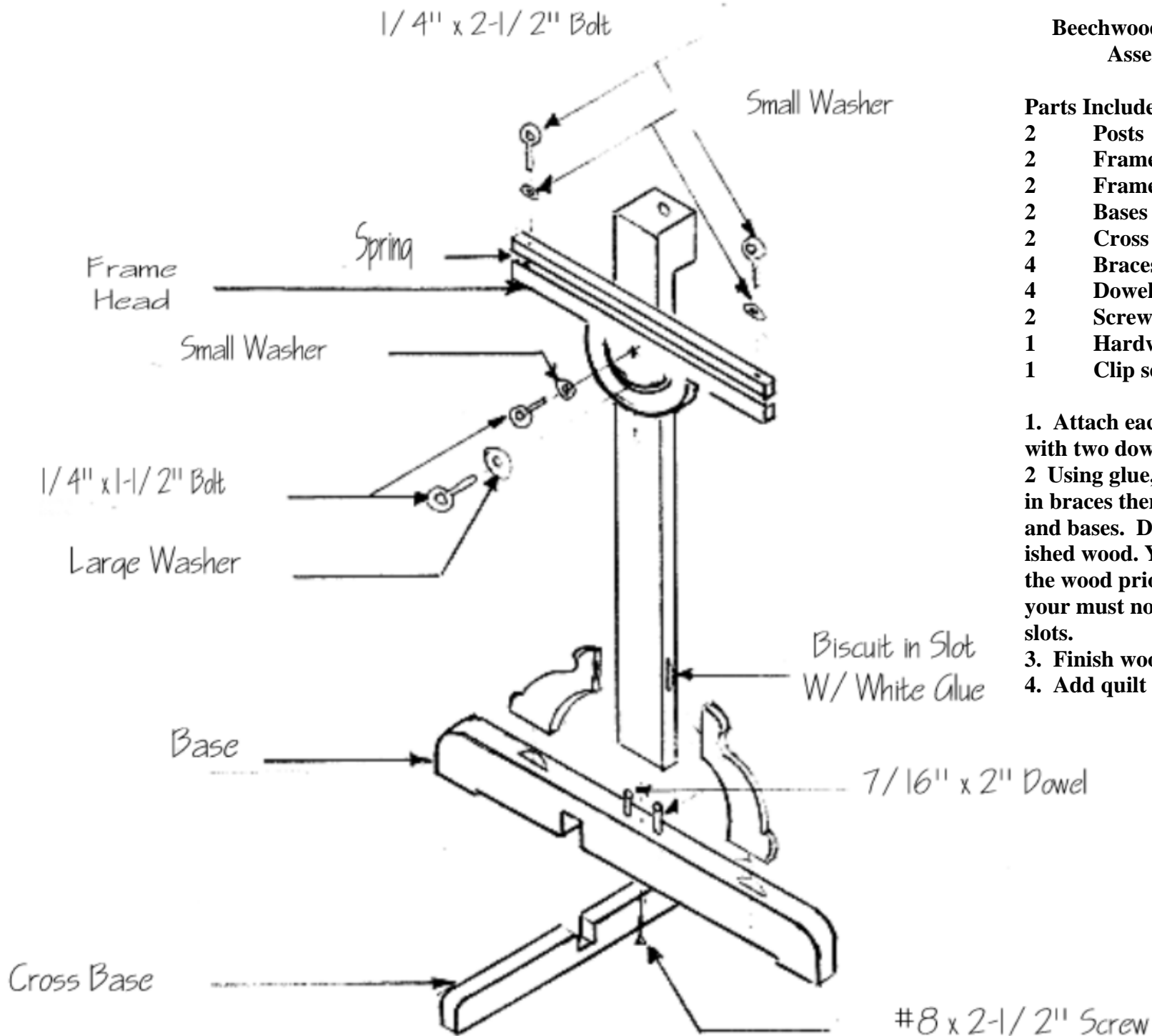


Beechwood Country Floor Frame Assembly Instructions

Parts Included:

- 2 Posts
- 2 Frame Heads- Bottom
- 2 Frame Heads-Top
- 2 Bases
- 2 Cross Bases
- 4 Braces
- 4 Dowels
- 2 Screws
- 1 Hardware Set
- 1 Clip set



1. Attach each base unit to post unit with two dowels and one screw.
2. Using glue, insert biscuits into slots in braces then attach to slots in posts and bases. Do not get glue on unfinished wood. You may choose to finish the wood prior to installing braces, but you must not get finish in the biscuit slots.
3. Finish wood as desired.
4. Add quilt per instructions.