

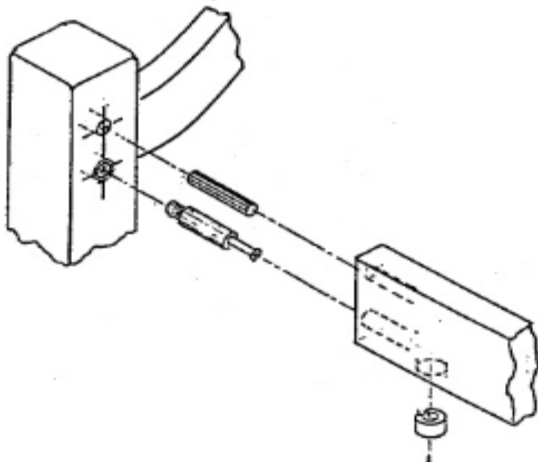
PUTTING QUILT RACK TOGETHER

Screw a bolt into each insert nut on both rack ends and tighten with a #3 phillips head screwdriver. Push dowel pins into remaining holes. They do not need to be glued.

Install round cam lock into each hole on bottom of each rail with arrow pointing toward each end.

Lay one end of rack on a flat surface with bolts upright and put each of the 4 rails in place over bolt and dowel pin. Lightly tighten cam locks.

Place other rack end on top with bolts and pegs going down into holes securely. Tighten all 8 cam locks securely with a #3 phillips head screw driver.



Jasmine
HEIRLOOMS
1308 water Street
Kerrville, Texas 78028
830-257-5440 Phone
830-896-9502 Fax
Toll Free for Orders
(800) 736-7326
www.jasmineheirlooms.com
jasmine@jasmineheirlooms.com

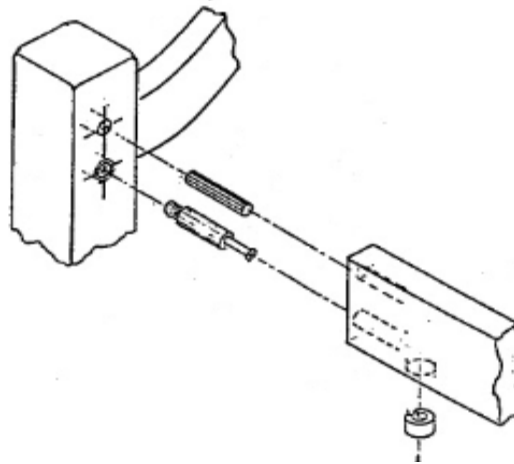
PUTTING QUILT RACK TOGETHER

Screw a bolt into each insert nut on both rack ends and tighten with a #3 phillips head screwdriver. Push dowel pins into remaining holes. They do not need to be glued.

Install round cam lock into each hole on bottom of each rail with arrow pointing toward each end.

Lay one end of rack on a flat surface with bolts upright and put each of the 4 rails in place over bolt and dowel pin. Lightly tighten cam locks.

Place other rack end on top with bolts and pegs going down into holes securely. Tighten all 8 cam locks securely with a #3 phillips head screw driver.



Jasmine
HEIRLOOMS
1308 water Street
Kerrville, Texas 78028
830-257-5440 Phone
830-896-9502 Fax
Toll Free for Orders
(800) 736-7326
www.jasmineheirlooms.com
jasmine@jasmineheirlooms.com

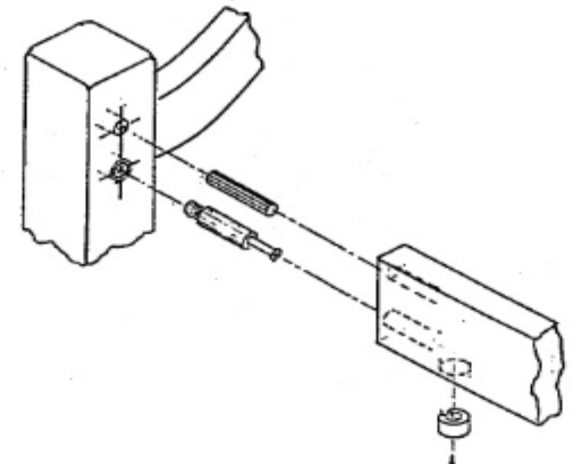
PUTTING QUILT RACK TOGETHER

Screw a bolt into each insert nut on both rack ends and tighten with a #3 phillips head screwdriver. Push dowel pins into remaining holes. They do not need to be glued.

Install round cam lock into each hole on bottom of each rail with arrow pointing toward each end.

Lay one end of rack on a flat surface with bolts upright and put each of the 4 rails in place over bolt and dowel pin. Lightly tighten cam locks.

Place other rack end on top with bolts and pegs going down into holes securely. Tighten all 8 cam locks securely with a #3 phillips head screw driver.



Jasmine
HEIRLOOMS
1308 water Street
Kerrville, Texas 78028
830-257-5440 Phone
830-896-9502 Fax
Toll Free for Orders
(800) 736-7326
www.jasmineheirlooms.com
jasmine@jasmineheirlooms.com